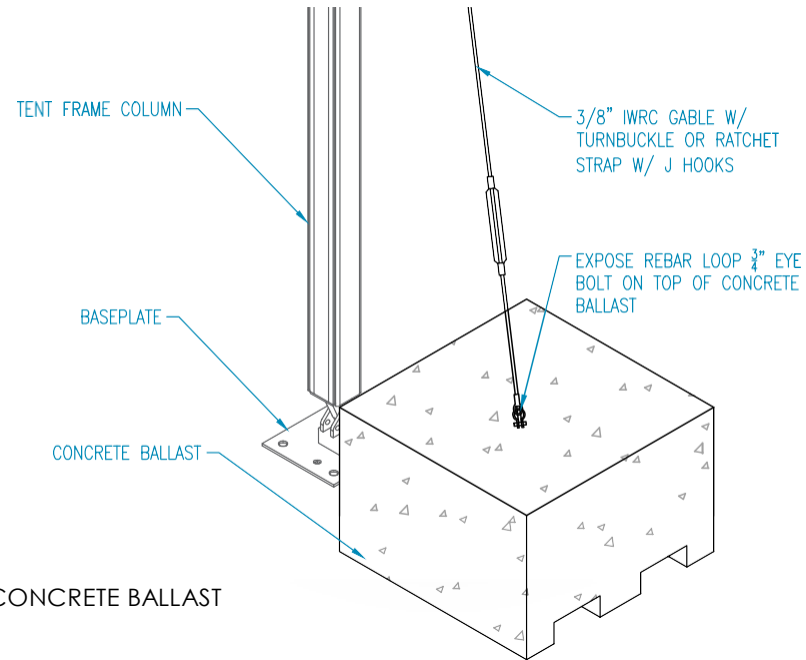
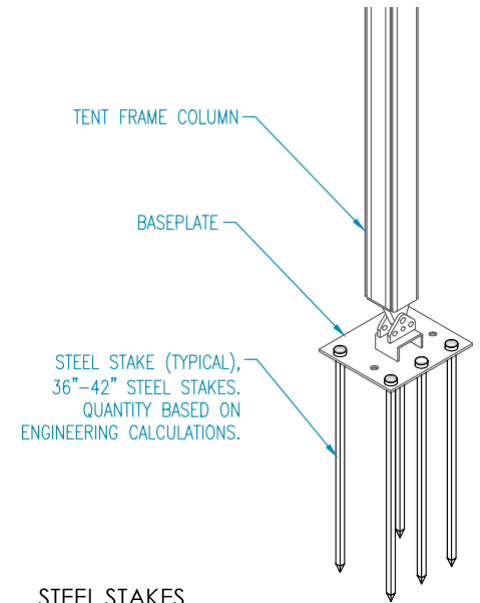


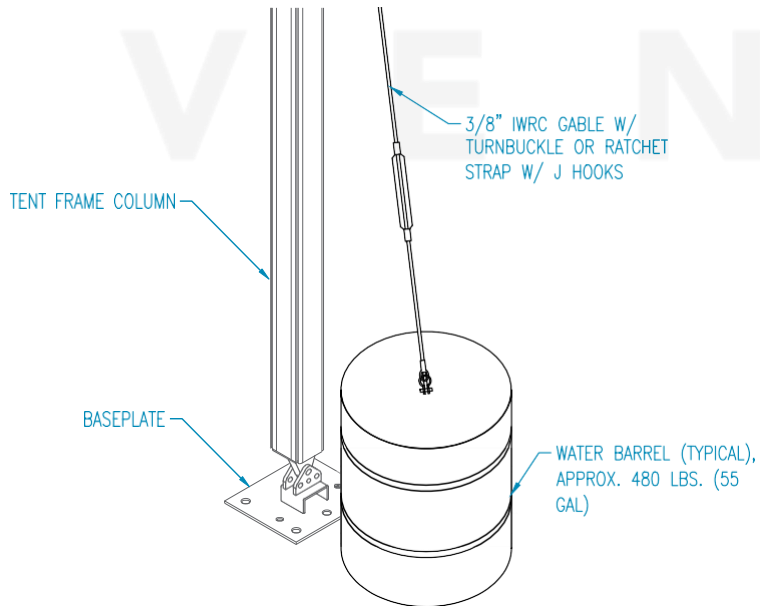
ANCHORS



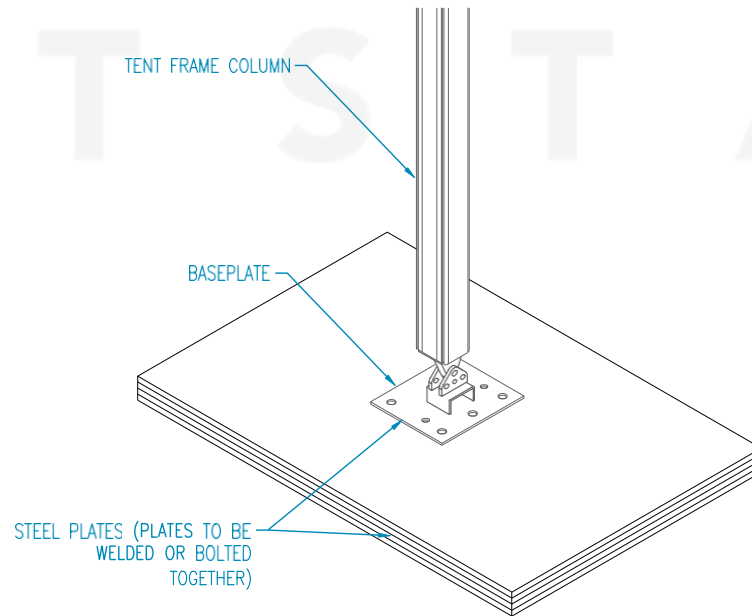
CONCRETE BALLAST



STEEL STAKES



WATER BARREL



STEEL PLATES



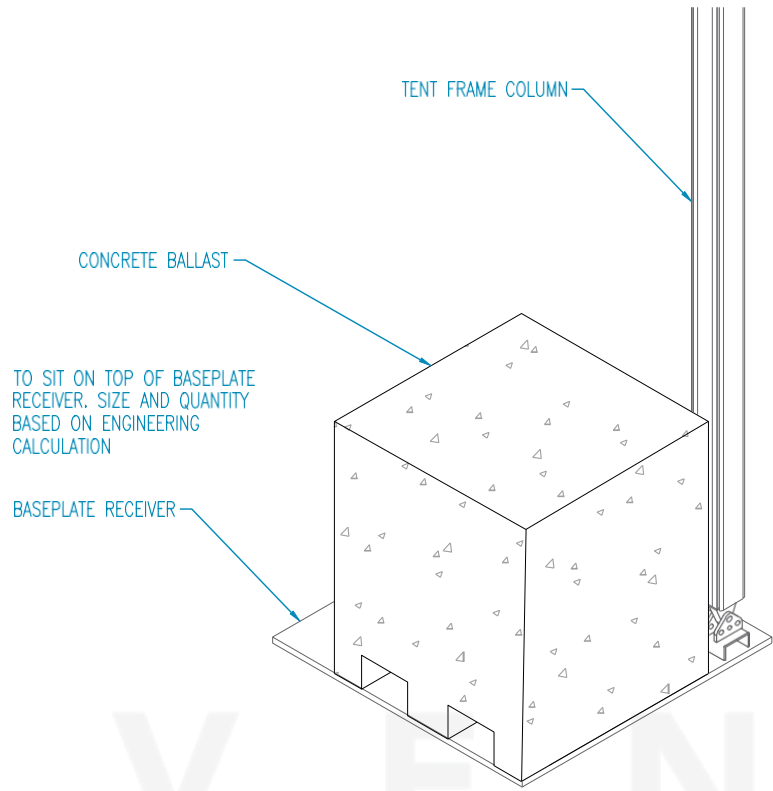
E V E N T S T A R

8100 N.W. 90 STREET
MEDLEY, FLORIDA 33166
TEL 305 969-0191 FAX 305 969-2761
E V E N T S T A R . C O M

REV:	DESCRIPTION:	DATE:
NOTE: DIMENSIONS ARE APPROXIMATE. FOR DISCUSSION PURPOSES ONLY. FINAL BRACING CONFIGURATION TO BE DETERMINE BY STRUCTURAL ENGINEER.		

COMPONENT: TIE DOWN
DWG. TITLE: SPEC SHEET

VERSION: TD METHOD	
DRAWN: O. DEL VALLE	CHECKED: M. ESPINALES
DRAWING: ES-PL-3.3.1	



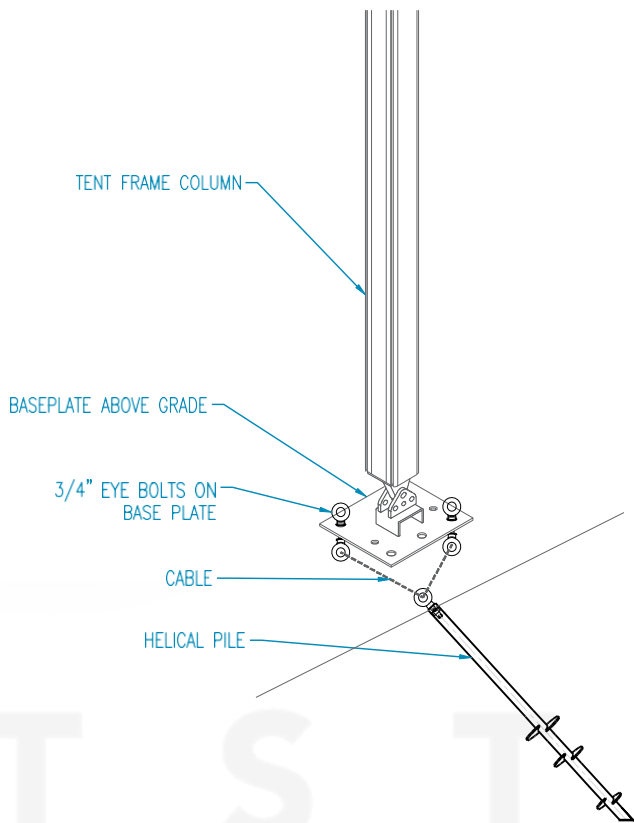
TENT FRAME COLUMN

CONCRETE BALLAST

TO SIT ON TOP OF BASEPLATE RECEIVER. SIZE AND QUANTITY BASED ON ENGINEERING CALCULATION

BASEPLATE RECEIVER

CONCRETE BALLAST (BASE PLATE RECEIVER)



TENT FRAME COLUMN

BASEPLATE ABOVE GRADE

3/4" EYE BOLTS ON BASE PLATE

CABLE

HELICAL PILE

HELICAL PILES



E V E N T S T A R
 8100 N.W. 90 STREET
 MEDLEY, FLORIDA 33166
 TEL 305 969-0191 FAX 305 969-2761
E V E N T S T A R . C O M

REV:	DESCRIPTION:	DATE:

NOTE: DIMENSIONS ARE APPROXIMATE. FOR DISCUSSION PURPOSES ONLY. FINAL BRACING CONFIGURATION TO BE DETERMINE BY STRUCTURAL ENGINEER.

COMPONENT: TIE DOWN
DWG. TITLE: SPEC SHEET

VERSION: TD METHOD	
DRAWN: O. DEL VALLE	CHECKED: M. ESPINALES
DRAWING: ES-PL-3.3.2	